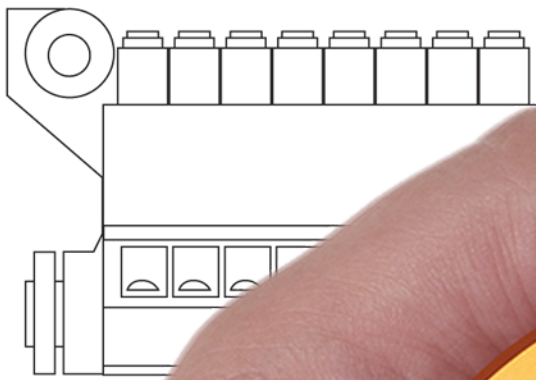


# Your key for Predictive Maintenance

The easiest way to monitor  
your engine - ACCOMOS®



# ACCOMOS®

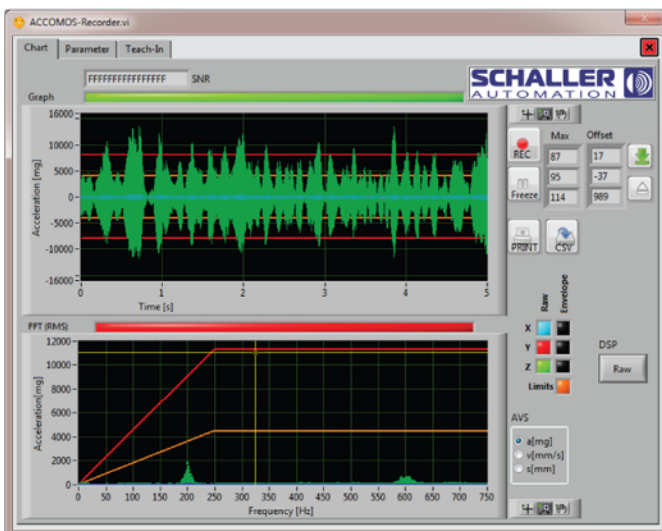
## Acceleration Monitoring System

A novel three-axle vibration sensor, which has been specifically adapted to the requirements of large engines, to support proactive maintenance.

Ideal for monitoring the permissible limit values of internal combustion engines of >100 kW (DIN ISO 10816-6, [www.iso.org](http://www.iso.org)).

It has never been easier to install a sensor for recording vibrations: extra-strong magnets make it possible to attach the system in minutes. In most cases, it is not necessary to machine surfaces.

Regardless of whether you use ACCOMOS® as a permanently installed sensor with engines, clutches, or generators, it can detect discrepancies in the vibration behaviour and warn you before anything untoward occurs.



Installing a sensor allows you to monitor the engine such that the system displays (yellow/red) warning thresholds for the vibration behaviour by means of a coloured LED on the sensor.

It is possible to transfer the real time data via CAN or RS485 connections.

Optional evaluation software is available, which, amongst other things, allows you to display and save the real time data on all three axes and to display the frequency spectrum.

The software also offers a teaching function that can be used to determine the thresholds for warnings (yellow/red).

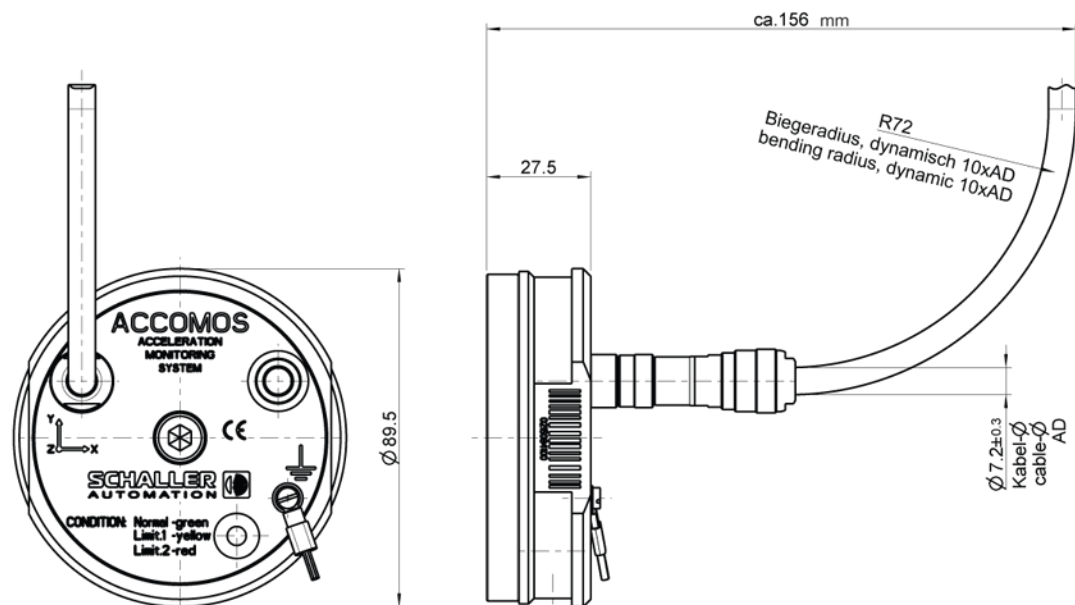
# ACCOMOS®

## for your Proactive Maintenance

ACCOMOS® monitors compliance with the limit values for vibrations according to DIN-ISO 10816-6 for engines of >100 kW, [www.iso.org](http://www.iso.org)

Displacement in $\mu\text{m}$ (RMS)	Velocity in mm/s (RMS)	Acceleration in $\text{m/s}^2$ (RMS)	Machine vibration classification						
			1	2	3	4	5	6	7
17,80	1,12	1,76	Normal / acceptable	Normal / acceptable	Normal / acceptable	Normal / acceptable	Normal / acceptable	Normal / acceptable	Normal / acceptable
28,30	1,78	2,79							
44,80	2,82	4,42							
71,00	4,46	7,01	Unsatisfactory	Unsatisfactory	Normal / acceptable	Normal / acceptable	Normal / acceptable	Normal / acceptable	Normal / acceptable
113,00	7,07	11,10							
178,00	11,20	17,60	Unacceptable	Unacceptable	Unsatisfactory	Normal / acceptable	Normal / acceptable	Normal / acceptable	Normal / acceptable
283,00	17,80	27,90							
448,00	28,20	44,20							
710,00	44,60	70,10	Unacceptable	Unacceptable	Unacceptable	Unsatisfactory	Normal / acceptable	Normal / acceptable	Normal / acceptable
1125,00	70,70	111,00							
1784,00	112,00	176,00							
							Unsatisfactory		Unsatisfactory
								Unacceptable	Unacceptable

### Dimensions





# Safety for you and your engine: Worldwide!

**Headquarters:**

**SCHALLER Automation**

Industrielle Automationstechnik GmbH & Co. KG  
Industriering 14  
D-66440 Blieskastel  
Tel.: +49 6842 508 0  
Fax: +49 6842 508 260  
Mail: info@schaller.de  
www.schaller-automation.com

**Key Account Management Center:**

**Singapore**

Schaller Automation Pte Ltd.  
114 Lavender Street  
#09-93 CT Hub 2  
Singapore 338729  
Phone: +65 6643 5151 (24/7)  
Fax: +65 6643 5150  
Mail: info@schallersingapore.com



**China**

Schaller Automation - China  
Room 401, Juyang Mansion No. 1200  
Pudong Avenue,  
Shanghai 200135, P.R.China  
Phone: +86 - 21 - 5093 - 7566  
Mobile: +86 - 1390 - 1890 - 736  
Fax: +86 - 21 - 5093 - 7556  
Mail: info@schallerchina.cn

**USA**

Schaller Automation LP  
811 Shotgun Road  
Sunrise, FL 33326  
United States of America  
Phone: +1 954 794 1950  
Mobile: +1 561 289 1495  
Fax: +1 954 794 1951  
Mail: info@schalleramerica.com



ISO 9001/2015 certified

